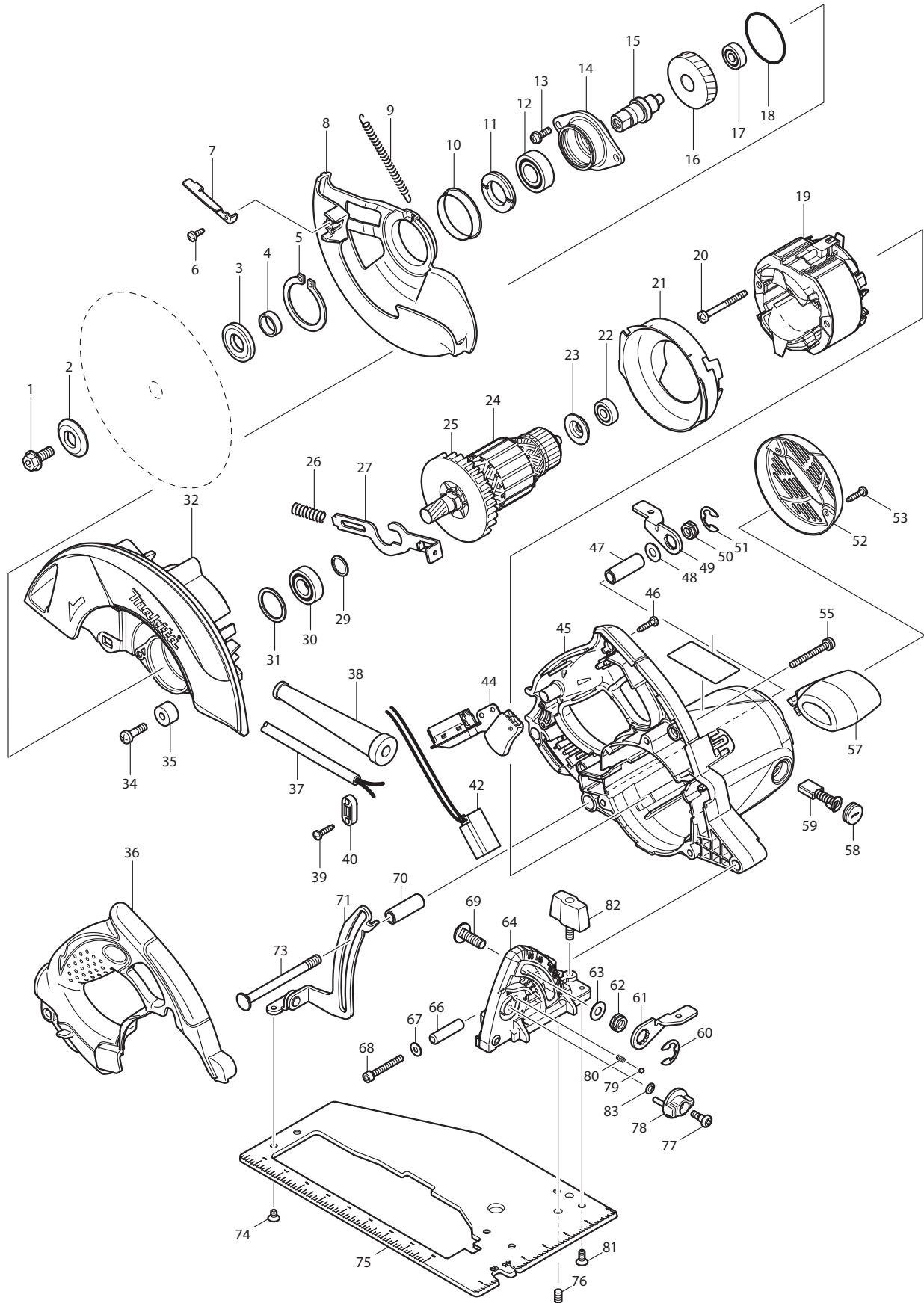




10 - 2011  
5007NFA / 5007NFAK  
7-1/4" CIRCULAR SAW  
(W/ Brake, W/ LED Job Light)



Item No.	Type	Sub	Part No.	Description	Qty	Unit
1			266283-4	HEX. SOCKET HEX. BOLT M8X20	1	PC.
2			224409-4	OUTER FLANGE 35	1	PC.
3			224411-7	INNER FLANGE 35	1	PC.
4			257279-6	RING 17	1	PC.
5			961201-4	RETAINING RING S-42	1	PC.
6			266398-7	TAPPING SCREW BIND CT 4X12	1	PC.
7			345931-9	LEVER PLATE	1	PC.
8		1	318057-0	SAFETY COVER	1	PC.
		2	318963-9	SAFETY COVER	1	PC.
9			231839-2	TENSION SPRING 4	1	PC.
10			345422-0	SPACER	1	PC.
11			285848-3	BEARING RETAINER 23-36	1	PC.
12		1	211275-8	BALL BEARING 6003DDW	1	PC.
		2	210301-0	BALL BEARING 6003DDW	1	PC.
13			911223-4	PAN HEAD SCREW M5X16	2	PC.
14			318056-2	BEARING BOX	1	PC.
15			324690-8	SPINDLE	1	PC.
16			226682-2	HELICAL GEAR 47	1	PC.
17		1	211031-6	BALL BEARING 608LLB	1	PC.
		2	210029-0	BALL BEARING 608ZZ	1	PC.
18			213623-7	O RING 46	1	PC.
19			596291-4	FIELD ASS'Y 115V	1	PC.
		INC.	654020-2	RING TERMINAL	1	PC.
		INC.	654502-4	CONNECTOR P-2	1	PC.
20			266397-9	TAPPING SCREW BIND 5X50	2	PC.
21			419548-5	BAFFLE PLATE	1	PC.
22		1	211031-6	BALL BEARING 608LLB	1	PC.
		2	210029-0	BALL BEARING 608ZZ	1	PC.
		3	210005-4	BALL BEARING 608DDW	1	PC.
23			681625-5	INSULATION WASHER	1	PC.
24		1	510114-2	ARMATURE ASS'Y 115V - N//L/A	1	PC.
		INC.		Item No. 22,23,25,29,30		
		2	510133-8	ARMATURE ASS'Y 115V	1	PC.
		INC.		Item No. 22,23,25,29,30		
25			240003-4	FAN 80	1	PC.
26			231297-2	COMPRESSION SPRING 9	1	PC.
27			345717-1	SHAFT LOCK	1	PC.
29			267280-3	FLAT WASHER 15	1	PC.
30			211236-8	BALL BEARING 6002DDW	1	PC.
31			261132-0	URETHANE WASHER 26	1	PC.
32			158673-4	BLADE CASE COMPLETE	1	PC.
		INC.	263002-9	RUBBER PIN 4	2	PC.
		INC.	816911-7	SCALE LABEL	1	PC.
34			251247-1	+ PAN HEAD SCREW M6X20	1	PC.
35			262552-1	RUBBER SLEEVE 6	1	PC.
36			450684-8	HANDLE COVER	1	PC.
37			664463-0	CORD W/PLUG 2P-14-2.5M, SJ	1	PC.
38			682564-2	CORD GUARD	1	PC.
39			266326-2	TAPPING SCREW 4X18	2	PC.
40		1	687052-4	STRAIN RELIEF	1	PC.
		2	687124-5	STRAIN RELIEF	1	PC.
42			631709-9	LIGHT CIRCUIT	1	PC.
44		1	651190-8	* SWITCH DGV-1122-A-16-01	1	PC.
		2	651062-7	* SWITCH TG933TNB-2	1	PC.
45			158704-9	MOTOR HOUSING COMPLETE	1	PC.
		INC.	643653-8	BRUSH HOLDER 6.5-13.5	2	PC.
		INC.	810278-5	CAUTION LABEL	1	PC.
46			266326-2	TAPPING SCREW 4X18	5	PC.
47			331719-3	PIPE 9	1	PC.

Item No.	Type	Sub	Part No.	Description	Qty	Unit
48			941201-0	FLAT WASHER 8	1	PC.
49			345930-1	LEVER PLATE	1	PC.
50			252199-9	HEX. NUT M8-13	1	PC.
51			257953-6	BOW STOP RING E-12	1	PC.
52			345929-6	REAR COVER	1	PC.
53			266326-2	TAPPING SCREW 4X18	2	PC.
55			911268-2	PAN HEAD SCREW M5X45	3	PC.
57			450705-6	FRONT GRIP	1	PC.
58			643650-4	BRUSH HOLDER CAP 6.5-13.5	2	PC.
59	1		181047-4	CARBON BRUSH CB-154 2PC/SET (W/O ORIGIN)	1	SET
	2		194986-9	CARBON BRUSH CB-154 2PC/SET (W/ ORIGIN)	1	SET
60			257953-6	BOW STOP RING E-12	1	PC.
61	1		345930-1	* LEVER PLATE	1	PC.
	2		346003-3	* LEVER PLATE	1	PC.
62	1		252199-9	* HEX. NUT M8-13	1	PC.
	2		264006-4	* HEX. NUT M8-13	1	PC.
63			941201-0	FLAT WASHER 8	1	PC.
64	1		163485-2	ANGULAR PLATE COMPLETE	1	PC.
	2		163527-2	ANGULAR PLATE COMPLETE	1	
66			257759-2	SLEEVE 6	1	PC.
67			941101-4	FLAT WASHER 5	1	PC.
68			922261-1	HEX. SOCKET HEAD BOLT M5X40	1	PC.
69	1		266396-1	* FLAT HEAD SQUARE NECK BOLT M8X24	1	PC.
	2		265965-5	* CAP SQUARE NECK BOLT M8X24	1	PC.
	3		266227-4	* CAP SQUARE NECK BOLT M8X28	1	PC.
70			331719-3	PIPE 9	1	PC.
71			163484-4	DEPTH GUIDE COMPLETE	1	PC.
73			266237-1	CAP SQUARE NECK BOLT M8X90	1	PC.
74			265086-3	+ COUNTERSUNK HEAD SCREW M5X8	2	PC.
75			345924-6	BASE	1	PC.
76			266085-8	H.S.SET SCREW(FLAT POINT)M6X10	1	PC.
77			251370-2	+ PAN HEAD SCREW M5	1	PC.
78			450704-8	DIAL 27	1	PC.
79			216008-6	STEEL BALL 4	1	PC.
80			233314-4	COMPRESSION SPRING 4	1	PC.
81			912212-2	COUNTERSUNK HEAD SCREW M5X12	4	PC.
82			251858-2	SCREW M6X15	1	PC.
83			253811-4	FLAT WASHER 5	1	PC.
D01			652047-6	+BIND SCREW M3.5X4.0 (F/SWITCH)	3	PC.
D02			654001-6	TERMINAL R1.25-3.5 (F/SWITCH-FIELD)	3	PC.
D03			654510-5	INSULATED CONNECTOR 5.5-SD (F/CORD-LIGHT CIRCUIT)	2	PC.
D04			654020-2	RING TERMINAL (F/FIELD)	1	PC.

**ACCESSORIES**

- See catalogue or visit [www.makita.ca](http://www.makita.ca) for more optional accessories -

A01			164095-8	GUIDE RULE	1	PC.
A02			A-94530-10	7-1/4" CT SAW BLADE 24T 5/8" 10/PK	1	PC.
A03			783204-6	HEX. WRENCH 6	1	PC.
A04			824772-1	PLASTIC CARRYING CASE	1	PC.
	INC.		163455-1	LATCH	2	PC.
	INC.		419360-3	HANDLE	1	PC.